

2329 Fairview East

Seattle, Washington 98102

Phones: EA 5-1132 or EA 9-1517

Number 19

Newsletter

May 1966

LAKE UNION & PORTAGE BAY:

CLEAN-UP DAY MAY 21

A CONCENTRATED EFFORT to eliminate from Lake Union and Portage Bay all floating and on-shore debris, which is not only unsightly but a danger to aquatic activities, will get under way at an all-day CLEAN UP campaign Saturday, May 21st. The event, launching a continuous drive against clutter, afloat and ashore, is jointly sponsored by the Lake Union Association, the Floating Homes Association, Northwest Marine Industries, the area's Yacht and Boating Clubs with the cooperation of the City of Seattle.

Clean-Up Committee Chairman, John Locke, jr., who is with the Fisher Henry Company, owners of Marina Mart, said that the opening of the drive has been set to coincide with the high water level due in mid-May. "As we know," he added, "the lake level has been rising and is floating the winter accumulation of debris which has become an eyesore and a menace to our water community."

Core of the day's activities will be the operation of a gigantic bag-boom to be slowly towed around the lake shore by two tugs. A fleet of small craft will be on hand to assist in getting floating debris into the path of the collection boom. The Engineering Department's drift boat "Pelican Pete" will be a part of the clean-up fleet. The Foss Tug Company is donating the boom sticks and Mark Freeman of the Fremont Boat Company will be in charge of the bag-boom and in ship-to-shore communication with the command post.

The Committee asks that smaller debris and material that will not float be boxed and taken to the regular disposal locations where it will be readily available to the city disposal trucks.

All houseboat moorages are urged by the Executive Committee to participate fully in the clean-up drive. Moorage meetings should be held to plan the day's activities. George Johnston has announced he will give special low rates to moorages wishing to use his "Floating Scavenger Service." He has a 30-foot steel scow available. For details contact Mr. Johnston (evenings) at EA 4-9148.

HERE IS THE MAY 21 SCHEDULE: The bag-boom is scheduled to leave the University Bridge at 9 a.m. It will proceed southerly along the Fairview Avenue shoreline of Lake Union to the head of the Lake and thence northerly along Westlake Avenue North to North Northlake Way and then through Portage Bay to Foster Island. Chet Gibson's "sound boat" is scheduled to tour the lake Wednesday, May 18th, sounding the alert, and on Saturday, May 21st, will precede the bag-boom giving notice of its progress. Clean-up crews are asked to wait until the bag-boom is approaching before pushing debris into the lake.

Chairman Locke says the news media (daily newspapers and TV-Radio Stations) have promised to cooperate. Besides other avenues of publicity (such as this NEWSLETTER), the Clean-Up Committee is sending a notice to every shoreland property owner. It makes this request:

"Mark your calendar - Saturday, May 21st, from 9 a.m. to 4 p.m. Have large debris ready for towing to the pick-up boom and smaller debris cartoned for land pick-up. THIS IS THE DAY to help get Lake Union and Portage Bay into the beautiful state we all desire through the united efforts of businesses, residents and the City of Seattle."

KENNETH KENNEDY ELECTED PRESIDENT AT ANNUAL BUSINESS MEETING: Kenneth Kennedy, 2822 Boyer East and charter member of the Association, was elected president to succeed Esther Carhart at the annual business meeting in the Aqua Barn. Miss Carhart had served two terms and declined re-nomination. She was elected to the Executive Committee and will continue to represent the Association on the Board of Trustees of the Lake Union Association.

Other officers elected are: Robert Brown, 3206 Portage Bay Place East, vice-president; Clara Kennedy, 2822 Boyer East, re-elected Secretary; Howard Larson, 2031 Fairview East, re-elected Trustee; Richard J. Stauff, 3226 Portage Bay Place East, Trustee; Mrs. Gladys Mattson, 3146 Portage Bay Place East, and Miss Carhart, 2814 Westlake North, Executive Committee members-at-large.

Members adopted the Financial Report (mailed to all members prior to the meeting) and the Executive Committee report given by Terry Pettus, Administrative Secretary. This report outlined the unfinished business facing the houseboat community including such issues as (1) the re-zoning of Lake Union (not Portage Bay) to create a new "Water-front Amenity Area" (2) plumbing of existing houseboats to meet Health Department standards and (3) establishing of standards and specifications for an under-water side-sewer system to serve floating homes and other over-the-water installations.

Speakers were John Locke, jr., from the Lake Union Association, who outlined the forthcoming "Clean-Up" campaign and Victor Steinbreuck, professor of architecture at the University of Washington and author of the best-selling book "Seattle Cityscape." Mr. Steinbreuck said, "I like houseboats the way they are," and expressed the hope that they would never lose their individuality.

In assuming the presidency, Mr. Kennedy thanked the members. "There is much to be done this coming year and, frankly, I am going to expect a lot from each member. The connecting of our homes to sanitary sewers is a life or death matter to houseboat living," he said. He called attention to the moorage meetings now being held to outline plumbing requirements and said a "pilot project" would seem logical in establishing Ordinance standards for the under-water side sewers.

* * *

FIRST OFFICIAL HOUSEBOAT FIRE LOSSES WERE COMPILED IN 1965: The first official tabulation of floating home fire damage has been released by Gordon F. Vickery, Chief of the Seattle Fire Department. Last year was the first time separate figures were kept on houseboats. In the past, floating home fires were lumped in with all other residences. Chief Vickery's letter to the Association said:

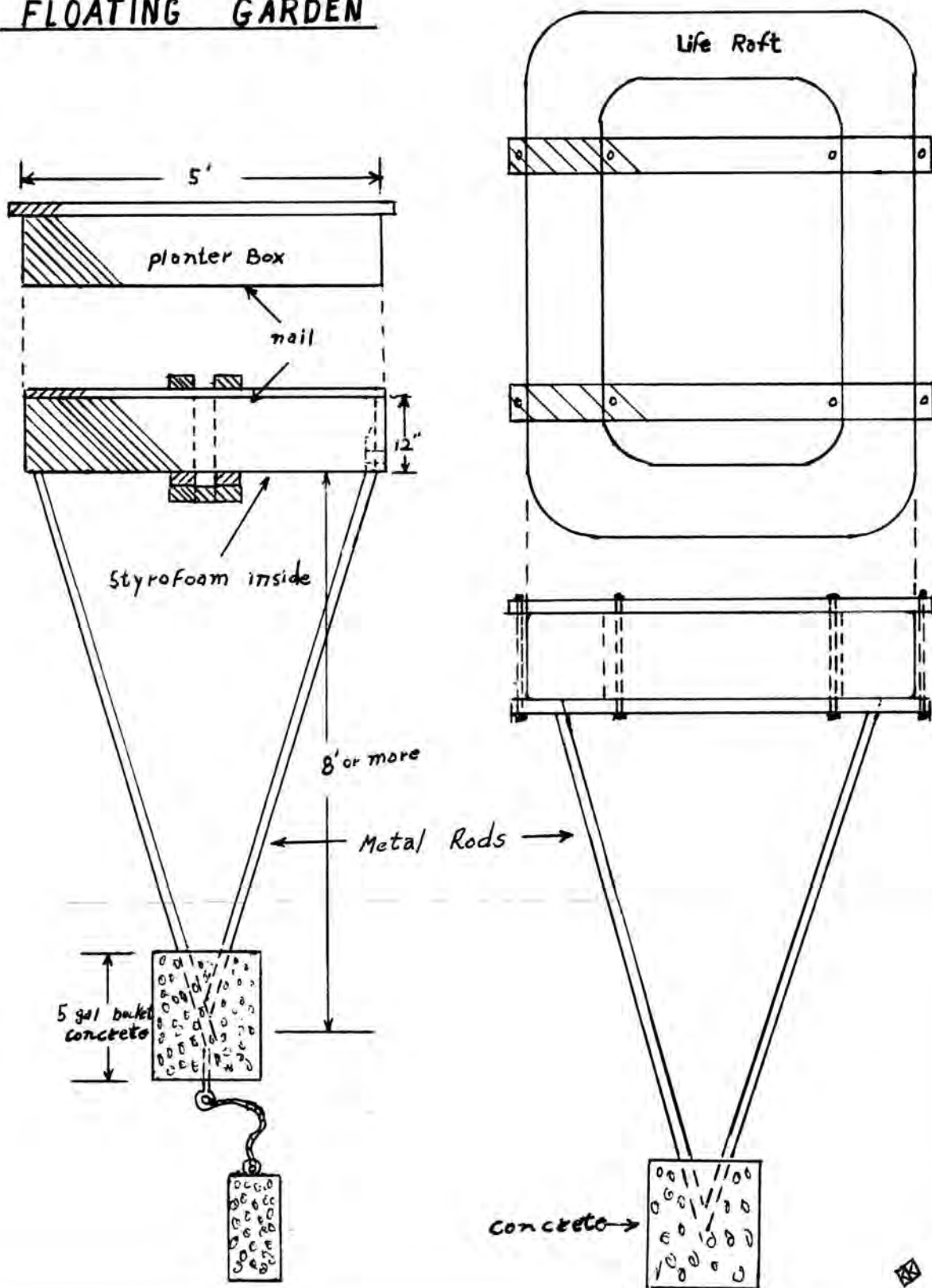
"There were eight fires in houseboats in 1965. Three of these fires caused damages in excess of \$100.00 but less than \$500.00. The damage caused by the other five fires was less than \$100.00 in each instance. Three of the fires were caused by smoking, one by illegal burning, one by ignition of food on the stove, one by a defective electric heater, one by an over-heated circulating heater, and one by sparks on a wood shingle roof."

These figures confirm the accuracy of a poll taken last summer by our Insurance Committee of which Bob Brown is chairman. Owners of some 250 houseboats reported fire losses over a seven-year period. The annual average was under \$2,000.00. The survey also revealed that floating home owners are paying from \$12.50 to as high as \$25.00 per \$1,000 for straight fire insurance. This in comparison to about \$4.80 (after the recent 12 per cent increase) paid by shore-based home owners for the much more comprehensive "Home Owners' Policy."

Mr. Brown says that until something better can be worked out, arrangements have been made to furnish members with fire insurance at the \$12.20 per \$1,000 rate. Those interested should contact the office.

FLOATING HOMES ASSOCIATION
2329 Fairview Avenue East
Seattle, Washington 98102

FLOATING GARDEN



INSTRUCTIONS FOR BUILDING A FLOATING PLATFORM

A floating garden can be made easily and economically. Styrofoam is best for the flotation. One cubic foot of styrofoam gives an amazing sixty-pound lift. Any suitable frame and cover to contain the styrofoam is basically all that is needed.

To be able to use the floating platform for a floating garden, or to support a Christmas tree during the holiday season, two basic ideas must be incorporated. First, and most important, a minimum of three stiff rods must be extended from the corners, meeting at an apex. Second, a weight must be attached at the apex to give a low center of gravity. Twelve cubic feet of styrofoam will support around 710 pounds. The above plan can hold 24 cubic feet of styrofoam or around 1500 pounds of bouyancy.

For a floating Christmas tree platform, stiff rods, not ropes, must be used, with a submerged weight attached solidly to the rods. Any suitable anchor can be used, but leave slack in the line to allow for movement in the wake of boats. Wooden barrels, wagon wheels, life rafts, and such will make a good top for the platform.

Styrofoam can be purchased at Bryant's Marina or at: Boise Cascade, Poly Board Division, P.O. Box A, Auburn, Washington.

For planting material, Blue Whale commercial combination peat moss and fertilizer is best. Some soil can be mixed in to give body to the mixture.

It is the hope of the Floating Homes Association that many of these floating platforms will be made and used for Christmas trees. Floating Christmas trees will be our theme for this coming Christmas.